

## LINEA'TOUCH - PVC SHEATHED

**Bactericidal joint**



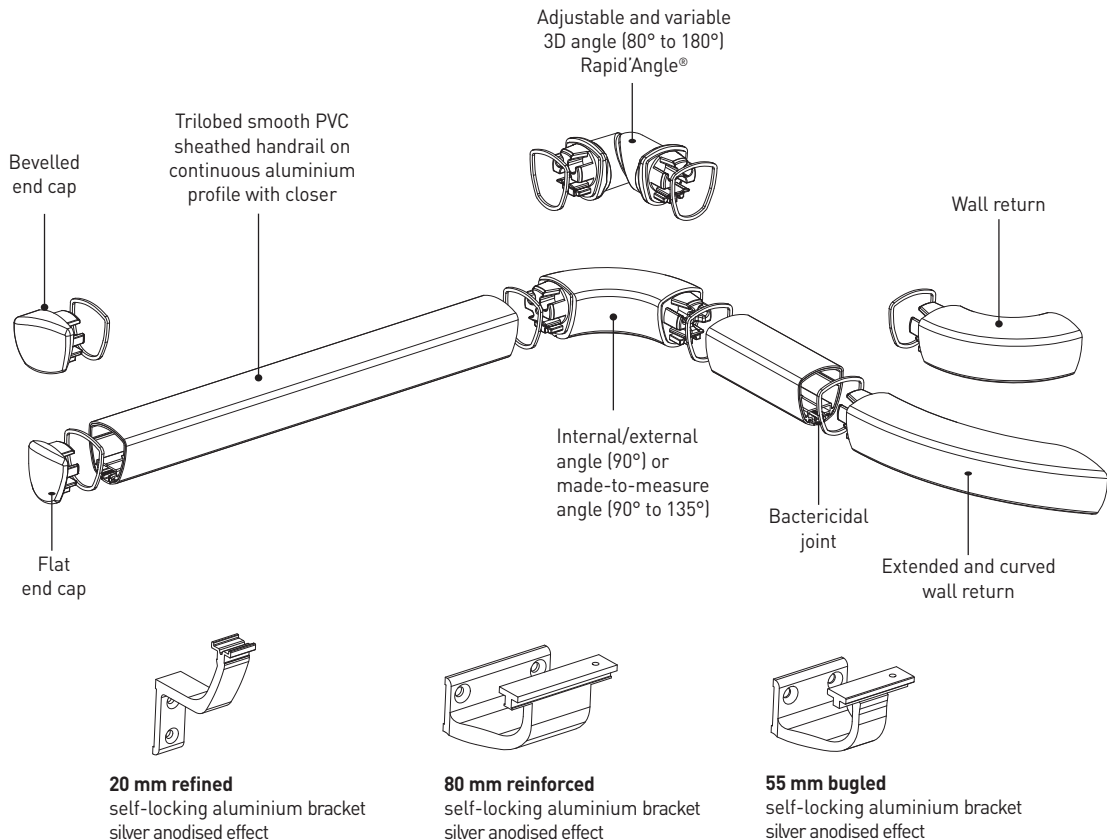
### ▶ TRILOBED HANDRAILS - 40 MM WIDTH

#### Applications

Developed with the help of architects and designers, the Linea'Touch handrail combines design, ergonomics and extreme impact resistance. Its exclusive trilobed shape validated by ergonomists provides an excellent grip while protecting the walls effectively and discreetly. Thanks to its large choice of accessories and colours for endless combinations, Linea'Touch handrail is also available in a reinforced version in order to offer an unity of design throughout the building, whatever the level of protection required. Linea'Touch can be used in all public areas, delivering aesthetic harmony from light to heavy traffic areas: hospitals, clinics, retirement homes, hotels, public buildings, offices. It can be bent and provides various technical solutions for continuity in staircases and in front of service ducts. It is fitted with bactericidal joints.

#### Description

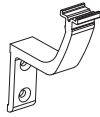
- Model: PVC sheathed Linea'Touch and Linea'Touch+ (reinforced version) trilobed handrail
- Cross section: height 42 mm x width 40 mm
- Length: 4 m
- Overall Projection: 80 mm (90 mm on request)
- Stand-off from wall: 40 mm (50 mm on request)
- Material: antibacterial and Bs2d0 fire-rated PVC, solid colour, on continuous aluminium profile, bactericidal joints
- Fixing components: refined, bugled or reinforced, 2 point self-locking aluminium brackets, silver anodised effect, screwed to the wall every 1.20 m (0.80 m centres in heavy traffic areas and on light partitions like plasterboard.)
- Colours: 31 standard



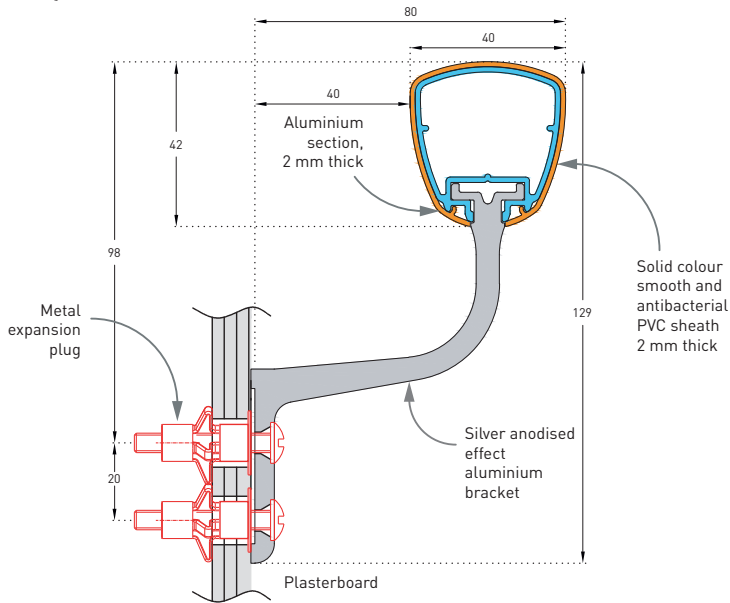
Linea' Touch  
with PVC sheath  
31 colours



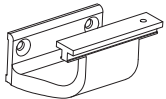
## LINEA'TOUCH



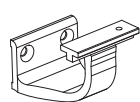
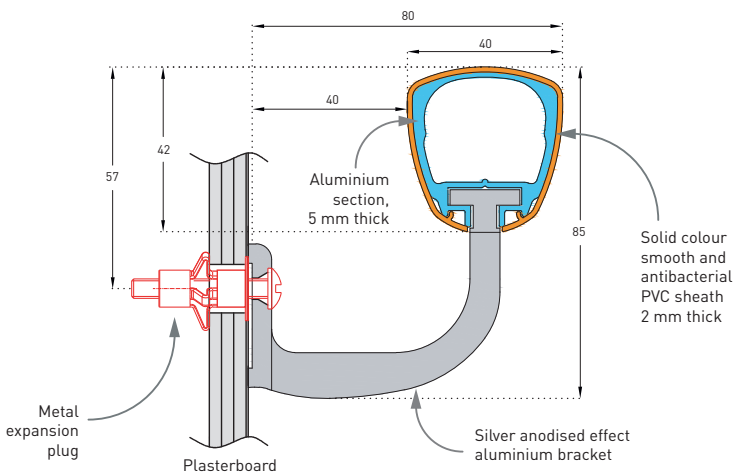
**20 mm refined**  
self-locking aluminium bracket  
silver anodised effect  
(overall projection 80 mm)



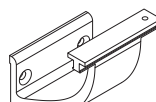
## LINEA'TOUCH+ - REINFORCED VERSION -



**80 mm reinforced**  
self-locking aluminium bracket  
silver anodised effect  
(overall projection 80 mm)



**55 mm bugled**  
self-locking  
aluminium bracket  
silver anodised effect  
(overall projection 80 mm)



**80 mm reinforced**  
self-locking  
aluminium bracket  
silver anodised effect  
(overall projection 90 mm)

### Specification

- Description: trilobed handrail with antibacterial PVC sheath (Linea' Touch PVC sheathed as manufactured by SPM) with a cross section from 28 to 40 mm to give it an ergonomic and anti-rotation design. It is 42 mm high and projects 80 mm from the wall. The axial position of its brackets provides an excellent guiding. It consists of a 2 mm thick continuous aluminium profile, or a 5 mm one for the reinforced version, covered by a 2 mm thick smooth and antibacterial, PVC sheath, achieving Bs2d0 fire-rating with solid colour, and a closer underneath. A protective film is specified to minimise cleaning before acceptance. Various smooth and antibacterial PVC accessories with solid colour (flat or bevelled endcaps, classic or extended and curved wall returns), supplied with bactericidal joints, are available to finish the handrail assembly and connect to the profile with joiner pieces. Wall fixing is by silver anodised effect aluminium brackets with 2-point self-locking: 20 mm wide refined bracket or 55 mm wide bugled bracket (for Linea' Touch) or 80 mm wide reinforced bracket (for the reinforced Linea' Touch+). The section comprises a groove into which brackets, accessories and closer slide and lock. All technical solutions are available to ensure continuity around corners (90° or made-to-measure), in staircases (3-way "universal joint" rotation angle -Rapid'Angle as manufactured by SPM), across service ducts (Quick-removable assembly wedge) and around curved sections (pre-curved in the factory). These handrails achieve an impact resistance in excess of 70 Joules -i.e. an impact of more than 220 kg travelling at 2 kmh- (for Linea' Touch) and of 110 Joules -i.e. an impact of more than 320 kg travelling at 2 kmh- (for the reinforced version Linea' Touch+).
- Environment: no heavy metals and no substance potentially subjected to any REACH restriction are used in its manufacture, nor PBT/BPA. The calcium-zinc thermal stabilisation process is used. The emission level of volatile substance in inside air has been tested according to ISO 16000-6 and is very low (A+) according to the French regulation (23 March 2011 nr 2011-321 Decree and 19 April 2011 Order). 100% of the product are recyclable.
- Colour: selected by architects from manufacturer's standard range. The colours of the accessories are the same as the profile of the protection handrail.
- Installation method: upper edge of section 0.90 m max. above floor level. Fixes to 2-point self-locking aluminium brackets screwed to the wall at 1.20 m centres (0.80 m centres in heavy traffic corridors and on light partitions like plasterboard). Wall returns, endcaps and angles to be fixed with 2.5 mm Allen clamping screws.

